

88 PL100
15 WAY R-ANGLE DRANGE PLUG



PRODUCT INDICATORS								
-10	-13	-15	-20	-23	-25	-	-	-
T88510 2K2	T88513 2K2	T88515 2K2	T88520 2K2	T88523 2K2	T88525 2K2	T885- 2K2	T885 2K2	T885- 2K2

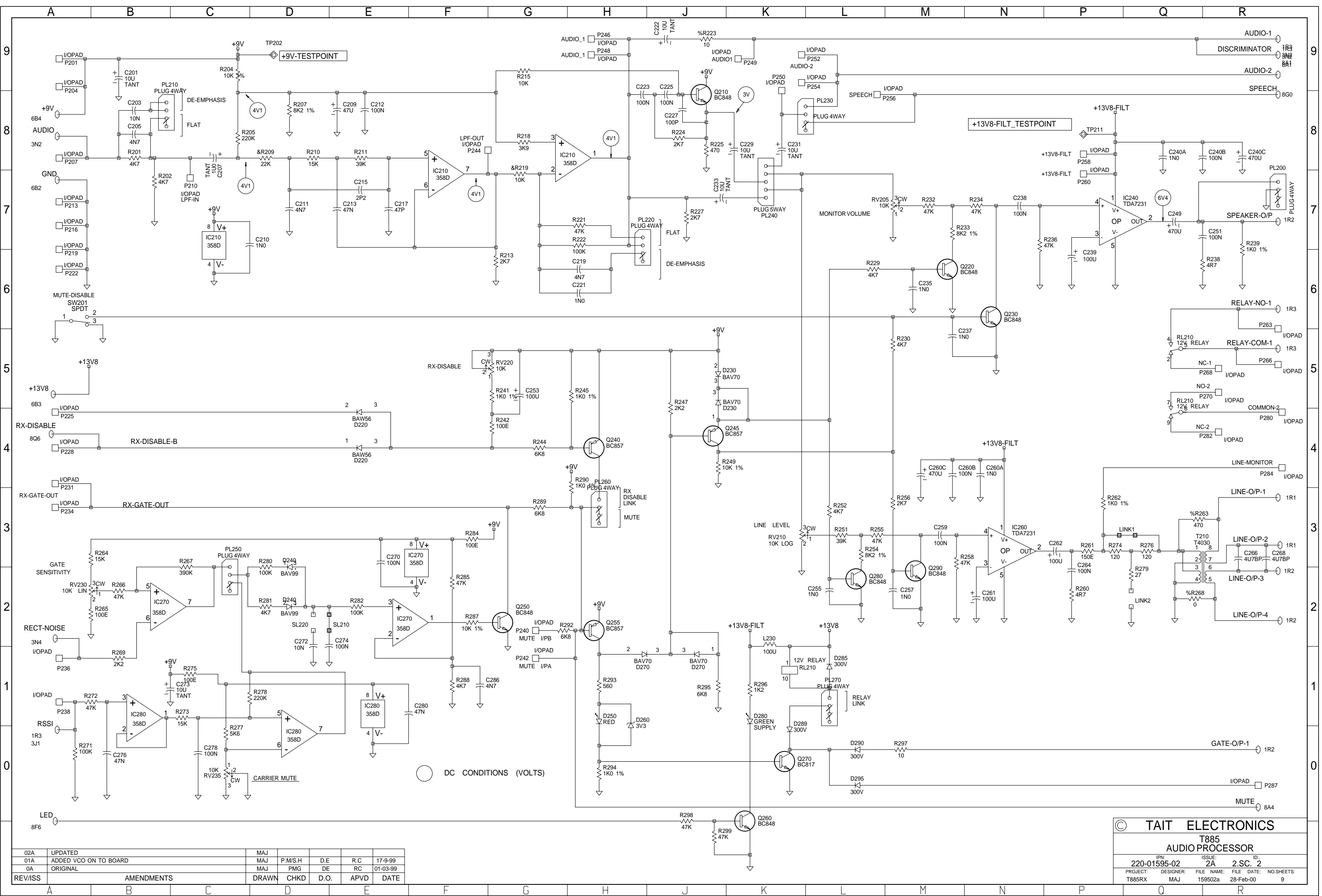
DGND & GND ARE CONNECTED THROUGH R617 ON SHEET 6

Q2A	UPDATED	MAJ	P.M/S.H	D.E	R.C	17-9-99
O1A	ADDED VCO ON TO BOARD	MAJ	PMG	DE	RC	01-03-99
0A	ORIGINAL	MAJ	CHKD	D.O.	APVD	DATE
REV/ISS	AMENDMENTS	DRAWN	CHKD	D.O.	APVD	DATE

© TAIT ELECTRONICS
T885 RECEIVER

IPN: 220-01595-02 ISSUE: 2A ID: 2.S.C. 1

PROJECT: T885RX DESIGNER: MAJ FILE NAME: 159502a FILE DATE: 28-Feb-00 NO.SHEETS: 9



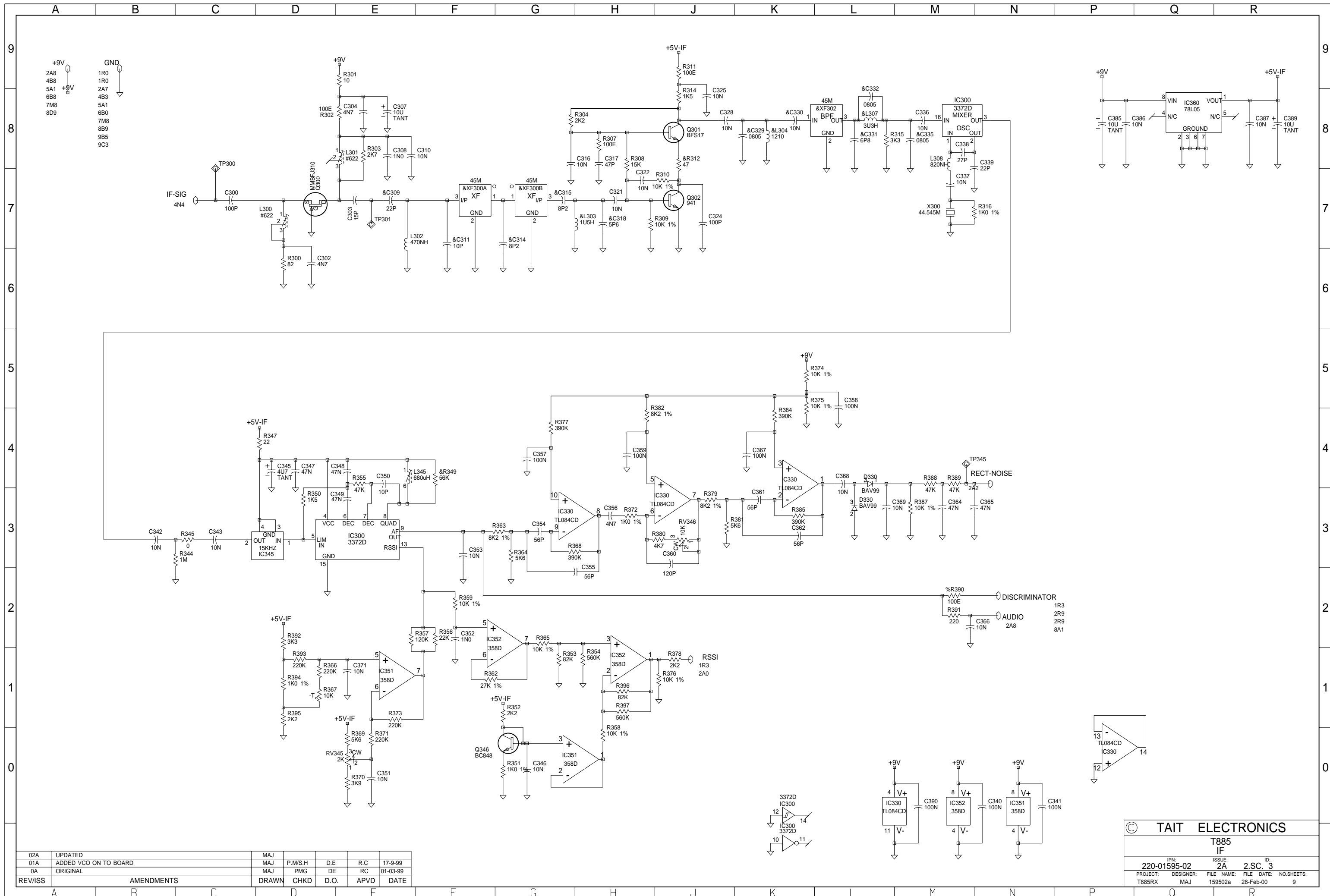
○ DC CONDITIONS (VOLTS)

Q2A	UPDATED	MAJ				
O1A	ADDED VCO ON TO BOARD	MAJ	P.M/S.H	D.E	R.C	17-9-99
0A	ORIGINAL	MAJ	PMG	DE	RC	01-03-99
REV/ISS	AMENDMENTS	DRAWN	CHKD	D.O.	APVD	DATE

© TAIT ELECTRONICS

T885
AUDIO PROCESSOR

IPN:	220-01595-02	ISSUE:	2A	ID:	2.S.C. 2
PROJECT:	T885RX	DESIGNER:	MAJ	FILE NAME:	159502a
				FILE DATE:	28-Feb-00
				NO.SHEETS:	9



Q2A	UPDATED	MAJ				
Q1A	ADDED VCO ON TO BOARD	MAJ	P.M/S.H	D.E	R.C	17-9-99
Q0A	ORIGINAL	MAJ	PMG	DE	RC	01-03-99
REV/ISS	AMENDMENTS	DRAWN	CHKD	D.O.	APVD	DATE

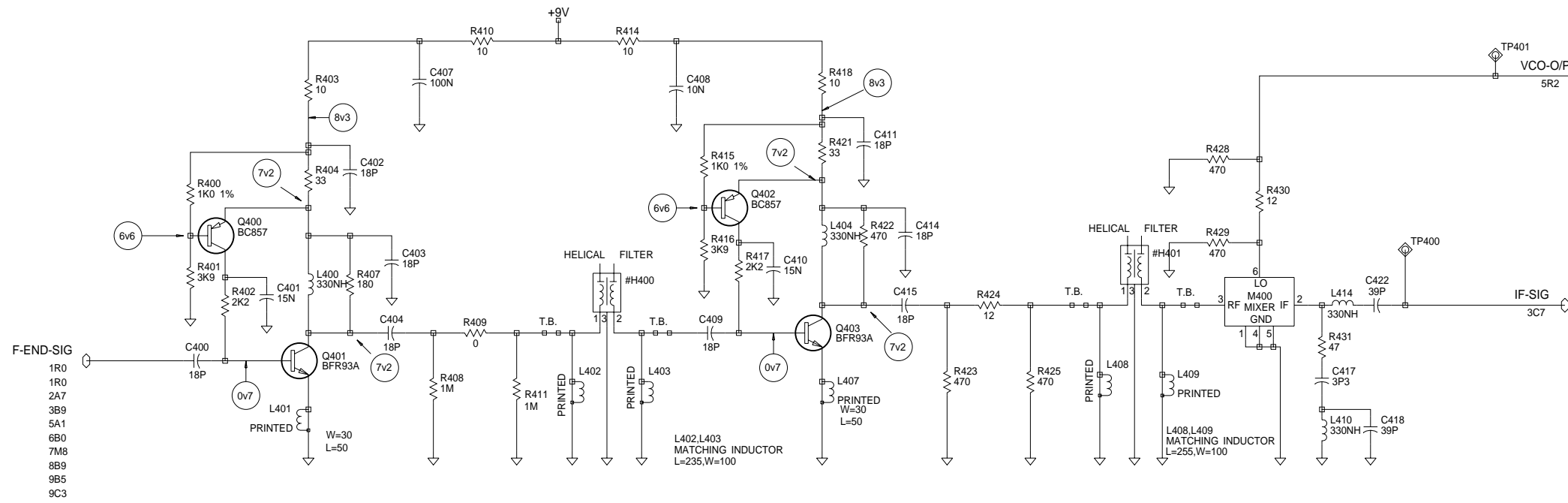
© TAIT ELECTRONICS

T885
IF

IPN: 220-01595-02 ISSUE: 2A ID: 2.S.C. 3

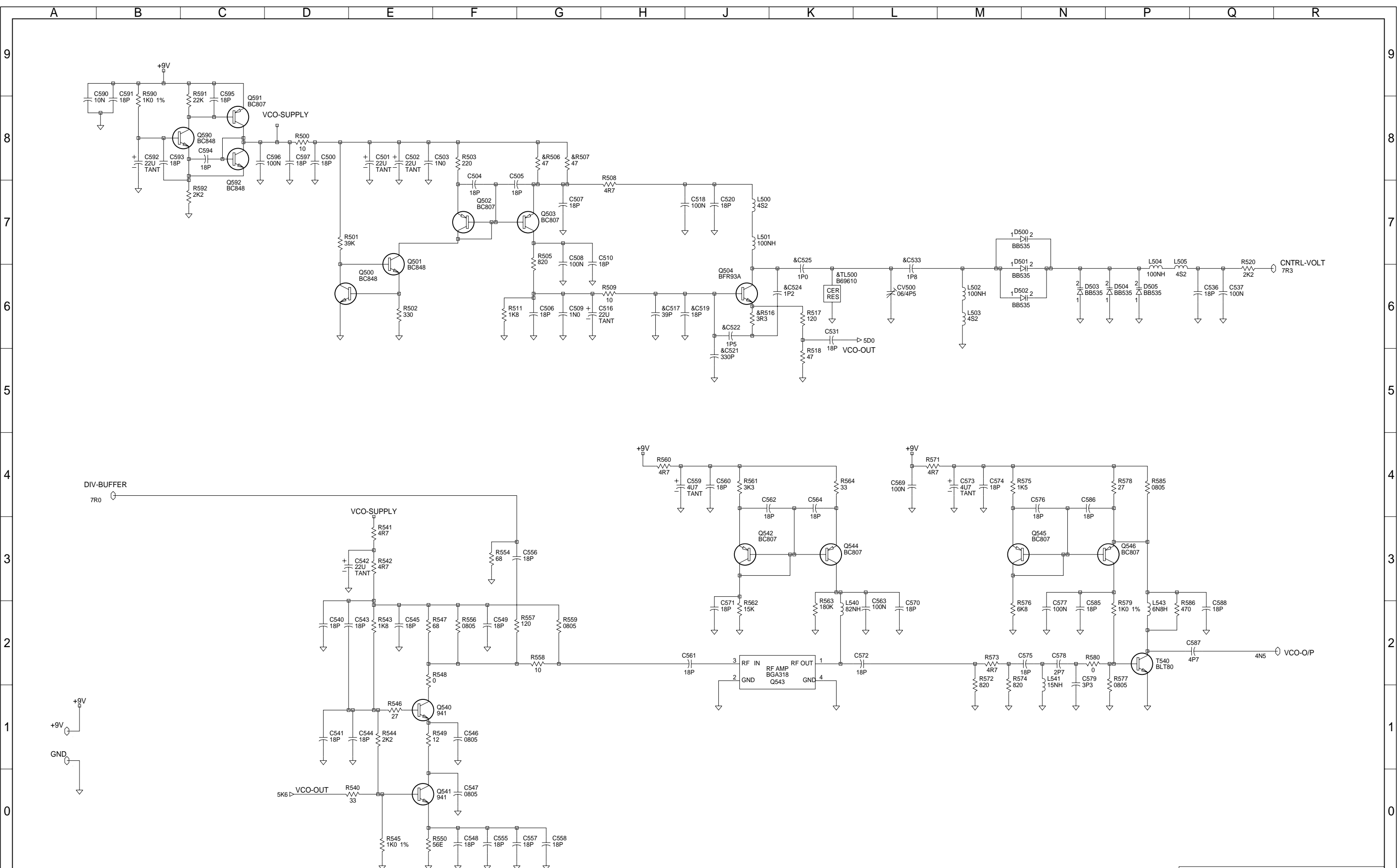
PROJECT: T885RX DESIGNER: MAJ FILE NAME: 159502a FILE DATE: 28-Feb-00 NO.SHEETS: 9

+9V	GND
2A8	1R0
3A9	1R0
5A1	2A7
6B8	3B9
7M8	5A1
8D9	6B0
	7M8
	8B9
	9B5
	9C3



Q2A	UPDATED	MAJ					
Q1A	ADDED VCO ON TO BOARD	MAJ	P.M/S.H	D.E	R.C	17-9-99	
Q0A	ORIGINAL	MAJ	PMG	DE	RC	01-03-99	
REV/ISS	AMENDMENTS	DRAWN	CHKD	D.O.	APVD	DATE	

© TAIT ELECTRONICS			
T885 FRONT END			
IPN: 220-01595-02	ISSUE: 2A	ID: 2.S.C. 4	
PROJECT: T885RX	DESIGNER: MAJ	FILE NAME: 159502a	FILE DATE: 28-Feb-00
			NO.SHEETS: 9



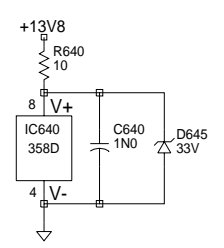
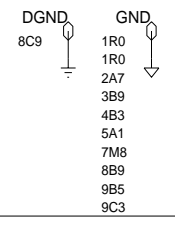
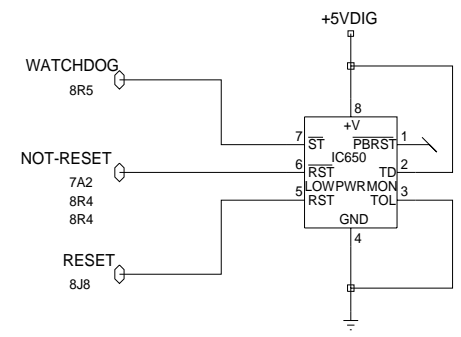
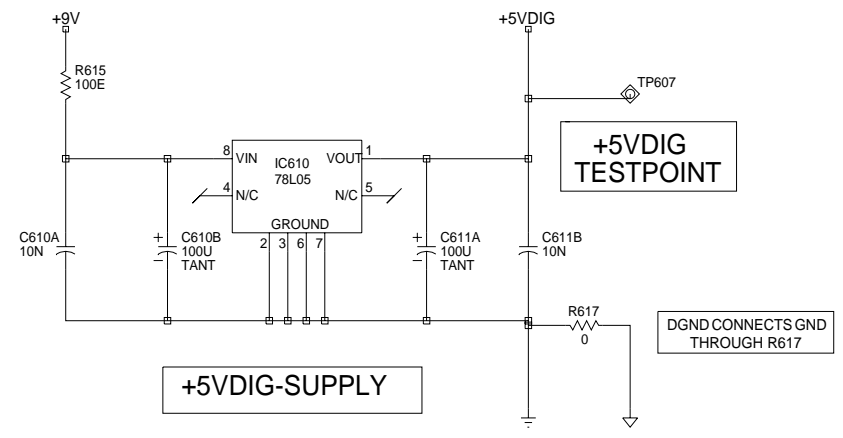
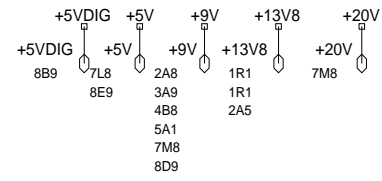
02A	UPDATED	MAJ				
01A	ADDED VCO ON TO BOARD	MAJ	P.M/S.H	D.E	R.C	17-9-99
0A	ORIGINAL	MAJ	PMG	DE	RC	01-03-99
REV/ISS	AMENDMENTS	DRAWN	CHKD	D.O.	APVD	DATE

© TAIT ELECTRONICS

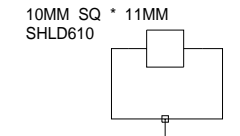
T885
VCO

IPN: 220-01595-02 ISSUE: 2A ID: 2.S.C. 5

PROJECT: T885RX DESIGNER: MAJ FILE NAME: 159502a FILE DATE: 28-Feb-00 NO.SHEETS: 9

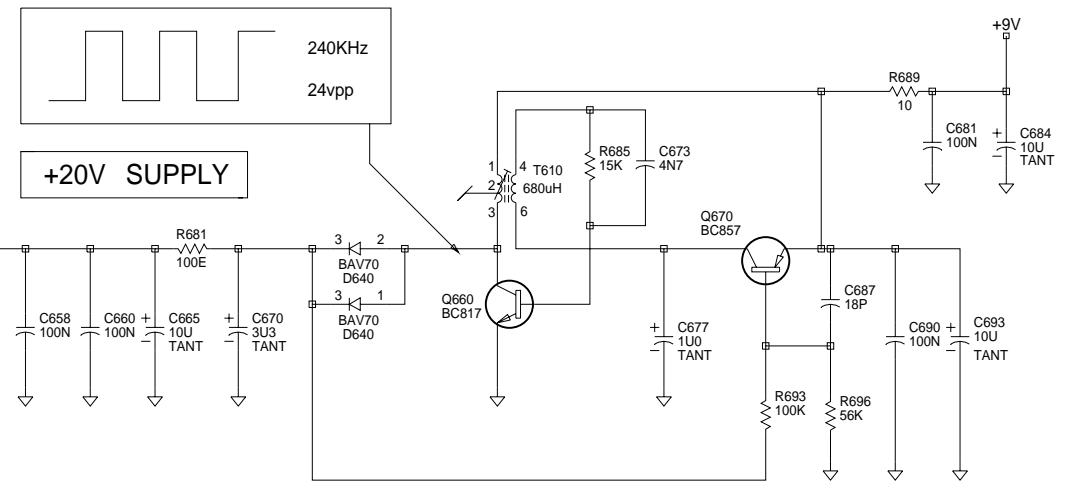
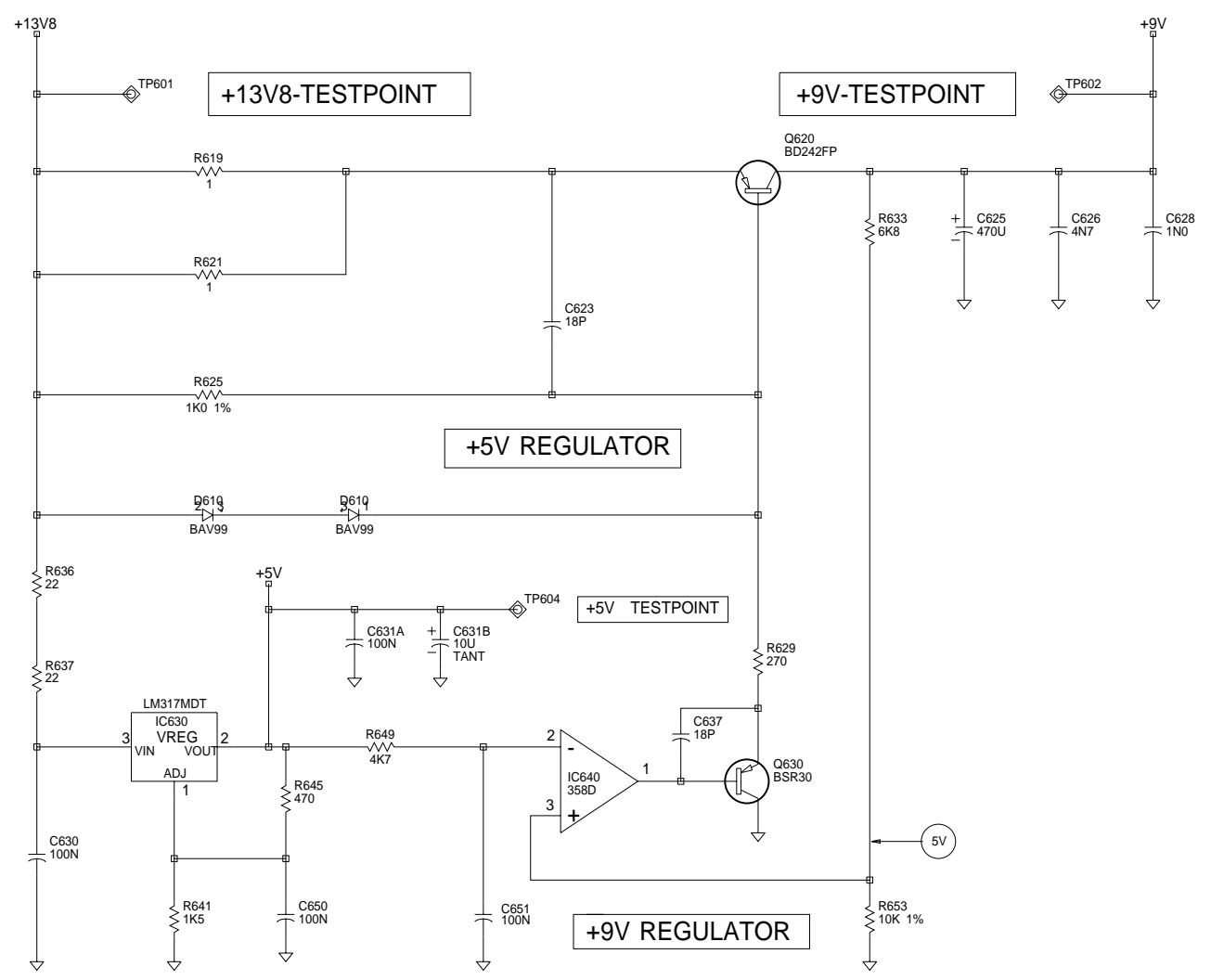


CAN TO SHIELD T610



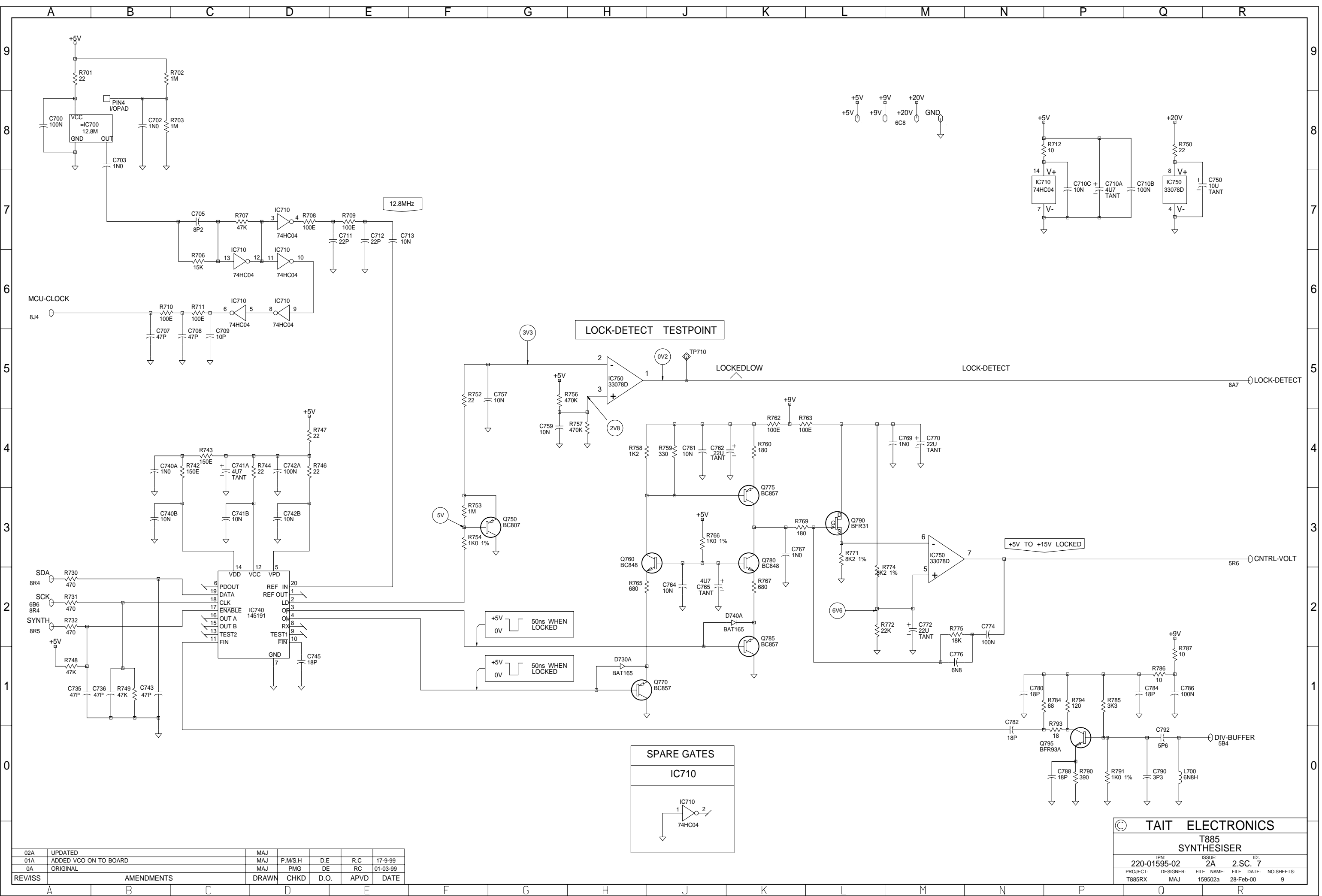
+20V TESTPOINT

+20V SUPPLY

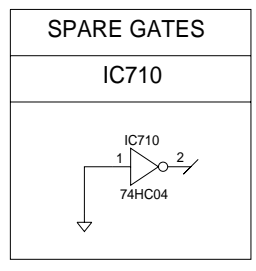


Q2A	UPDATED	MAJ	P.M/S.H	D.E	R.C	17-9-99
Q1A	ADDED VCO ON TO BOARD	MAJ	PMG	DE	RC	01-03-99
Q0A	ORIGINAL	MAJ				
REV/ISS	AMENDMENTS	DRAWN	CHKD	D.O.	APVD	DATE

© TAIT ELECTRONICS			
T885 REGULATOR			
IPN:	ISSUE:	ID:	
220-01595-02	2A	2.S.C. 6	
PROJECT:	DESIGNER:	FILE NAME:	FILE DATE:
T885RX	MAJ	159502a	28-Feb-00
NO.SHEETS:		9	



Q2A	UPDATED	MAJ				
Q1A	ADDED VCO ON TO BOARD	MAJ	P.M/S.H	D.E	R.C	17-9-99
Q0A	ORIGINAL	MAJ	PMG	DE	RC	01-03-99
REV/ISS	AMENDMENTS	DRAWN	CHKD	D.O.	APVD	DATE



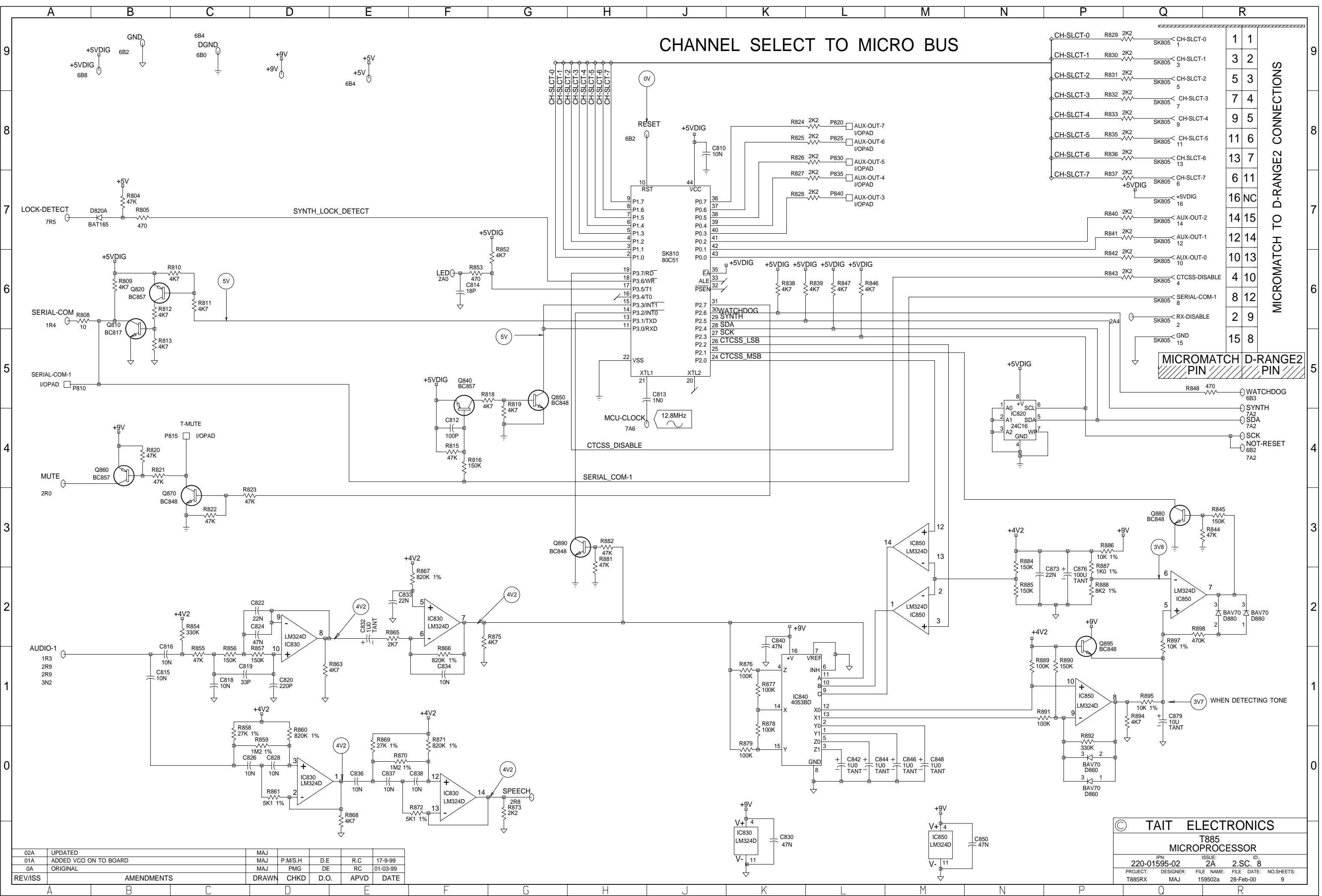
© TAIT ELECTRONICS

T885 SYNTHESISER

IPN: 220-01595-02 ISSUE: 2A ID: 2.S.C. 7

PROJECT: T885RX DESIGNER: MAJ FILE NAME: 159502a FILE DATE: 28-Feb-00 NO.SHEETS: 9

CHANNEL SELECT TO MICRO BUS



MICROMATCH TO D-RANGE2 CONNECTIONS

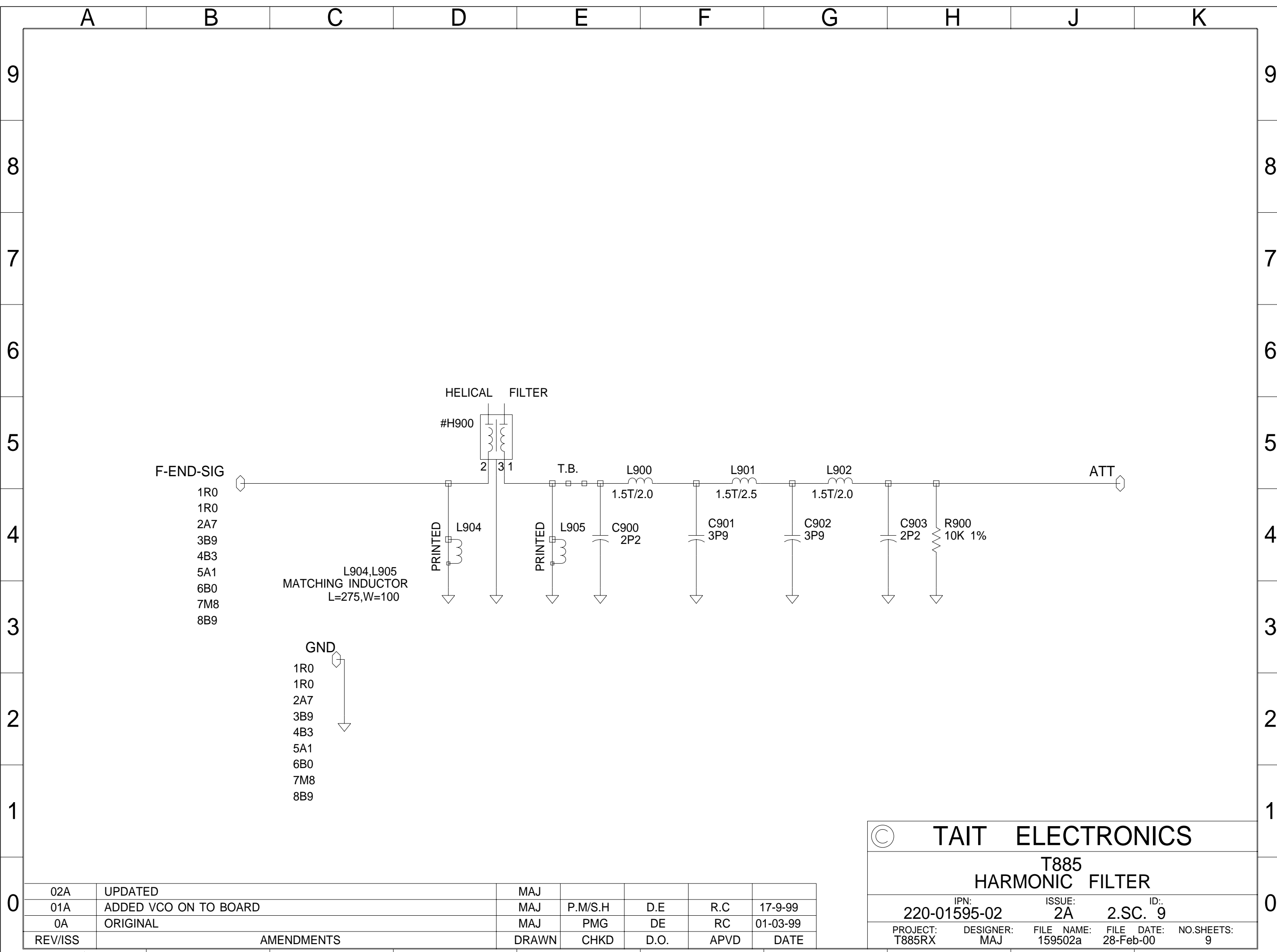
MICROMATCH D-RANGE2 PIN	
1	1
3	2
5	3
7	4
9	5
11	6
13	7
6	11
16	NC
14	15
12	14
10	13
4	10
8	12
2	9
15	8

REV/ISS	AMENDMENTS	DRAWN	CHKD	D.O.	APVD	DATE
02A	UPDATED	MAJ				
01A	ADDED VCO ON TO BOARD	MAJ	P.M/S.H	D.E	R.C	17-9-99
0A	ORIGINAL	MAJ	PMG	DE	RC	01-03-99

© TAIT ELECTRONICS

T885 MICROPROCESSOR

IPN:	ISSUE:	ID:
220-01595-02	2A	2.S.C. 8
PROJECT:	DESIGNER:	FILE NAME:
T885RX	MAJ	159502a
		FILE DATE:
		28-Feb-00
		NO.SHEETS:
		9



F-END-SIG
 1R0
 1R0
 2A7
 3B9
 4B3
 5A1
 6B0
 7M8
 8B9

L904, L905
 MATCHING INDUCTOR
 L=275, W=100

GND
 1R0
 1R0
 2A7
 3B9
 4B3
 5A1
 6B0
 7M8
 8B9

HELICAL FILTER

#H900

2 3 1

T.B.

L900

L901

L902

ATT

1.5T/2.0

1.5T/2.5

1.5T/2.0

PRINTED
 L904

PRINTED
 L905

C900
 2P2

C901
 3P9

C902
 3P9

C903
 2P2

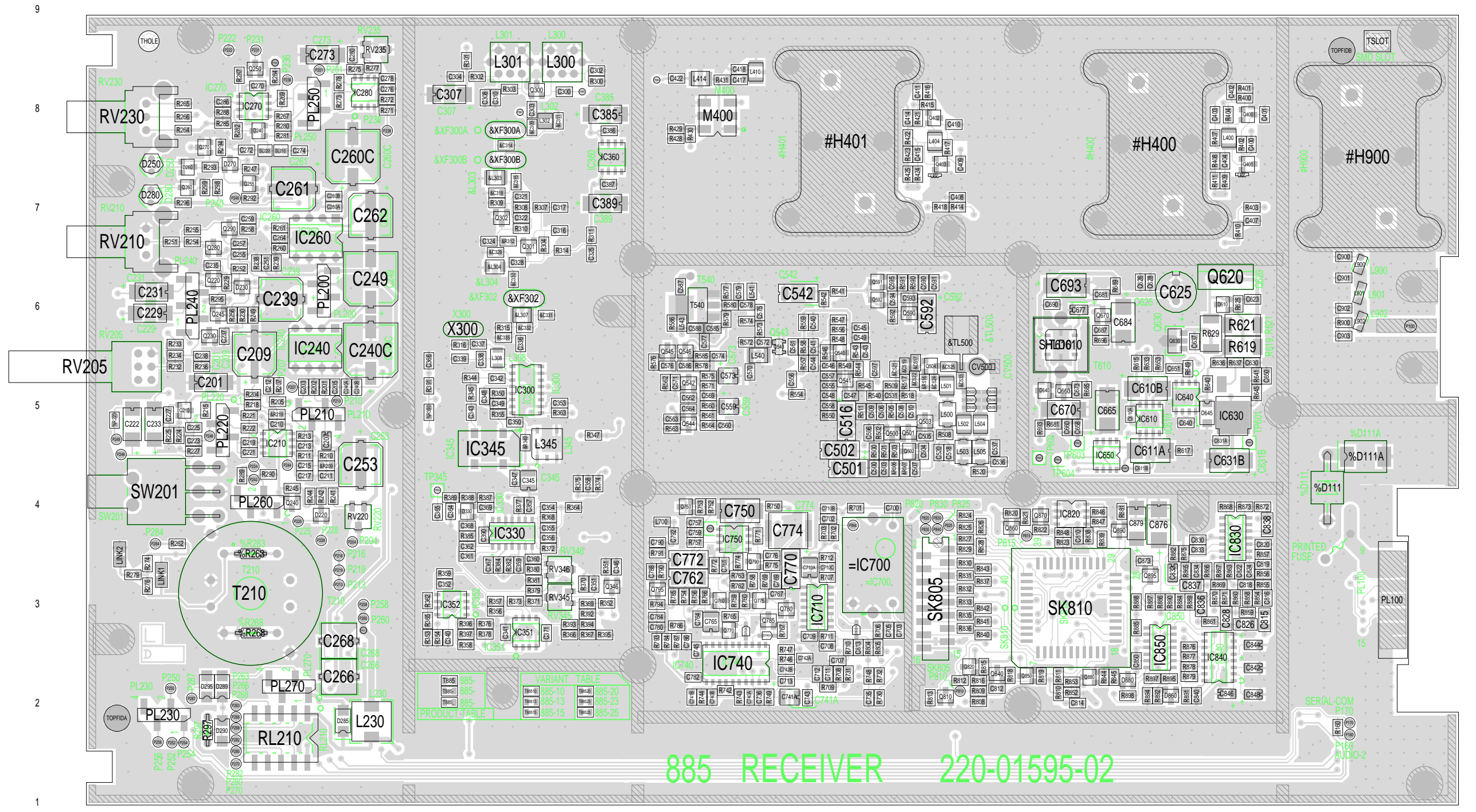
R900
 10K 1%

© TAIT ELECTRONICS

T885
 HARMONIC FILTER

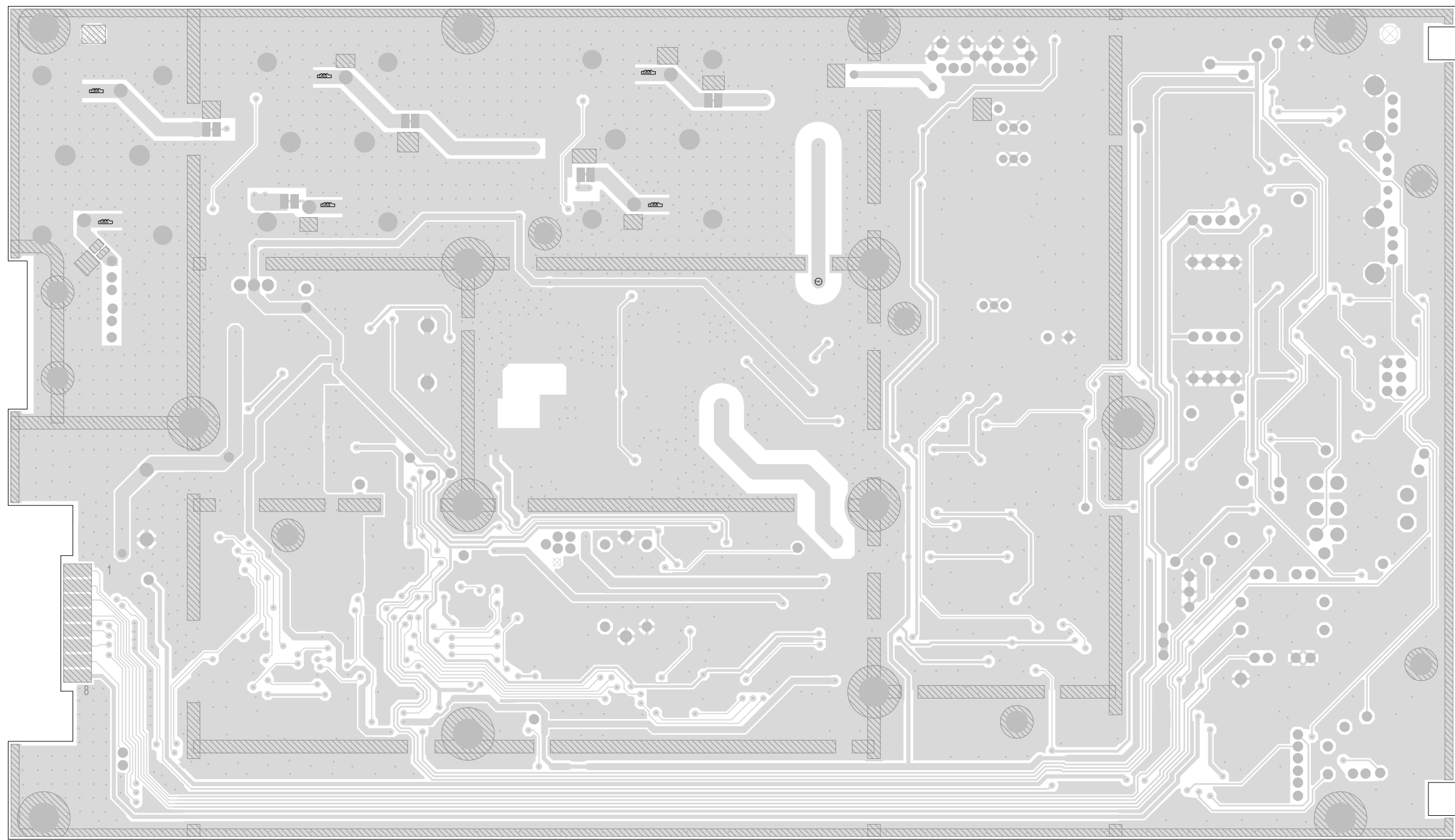
IPN: 220-01595-02	ISSUE: 2A	ID:. 2.SC. 9
PROJECT: T885RX	DESIGNER: MAJ	FILE NAME: 159502a
FILE DATE: 28-Feb-00	NO.SHEETS: 9	

02A	UPDATED	MAJ				
01A	ADDED VCO ON TO BOARD	MAJ	P.M/S.H	D.E	R.C	17-9-99
0A	ORIGINAL	MAJ	PMG	DE	RC	01-03-99
REV/ISS	AMENDMENTS	DRAWN	CHKD	D.O.	APVD	DATE



TAIT ELECTRONICS IPN: 220-01595-02 ISS: A ID: 1.TA DATE: 28 Feb 2000
 885 RECEIVER PCB LAYOUT - TOP SIDE

Scale: 1:2.1 ; Rotation: 0 degrees



Q P N M L K J H G F E D C B A

9
8
7
6
5
4
3
2
1

TAIT ELECTRONICS	IPN: 220-01595-02	ISS: A	ID: 2.BA	DATE: 28 Feb 2000
885 RECEIVER PCB LAYOUT - BOTTOM SIDE				

Scale: 1.2:1 ; Rotation: 0 degrees